



Product Datasheet

iQ-4025 Vandalism proof Antenna



Key features:

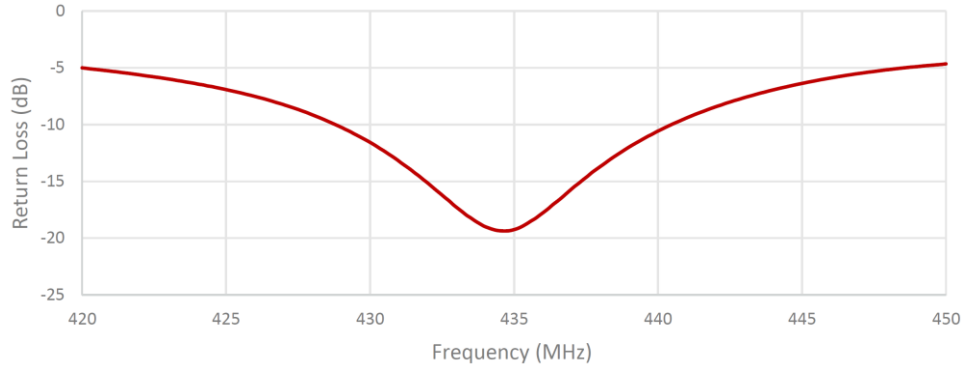
Center Frequency	430 MHz
VSWR	~1.3:1
Efficiency (%)	~58.3
Peak Gain (dBi)	~2.9
Impedance (Ohm)	50
Polarisation	Linear
Max. Input Power (W)	50
Polarisation	Linear
Radiation Pattern	Omni-Directional
Operating temperature	-40 °C to +85 °C
Storage temperature	-40 °C to +85 °C
Substance Compliance	RoHS
Certificates	IP67, IP69K, IK09
Dimensions	Ø 146 x 31.5 mm
Certificates	IK09, IP67, IP69K
Mounting	screw mount or adhesive mount
Cable	Standard RG58, L: 4 meter by default.
Connector	TNC Male



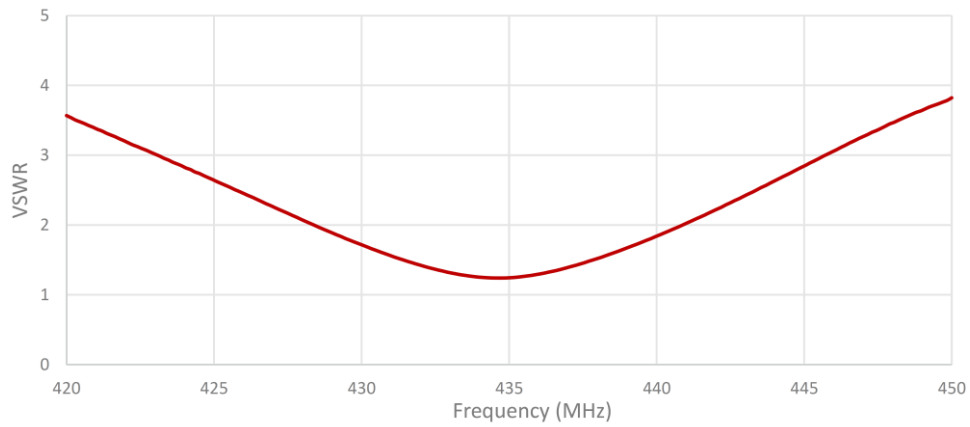


Product Datasheet

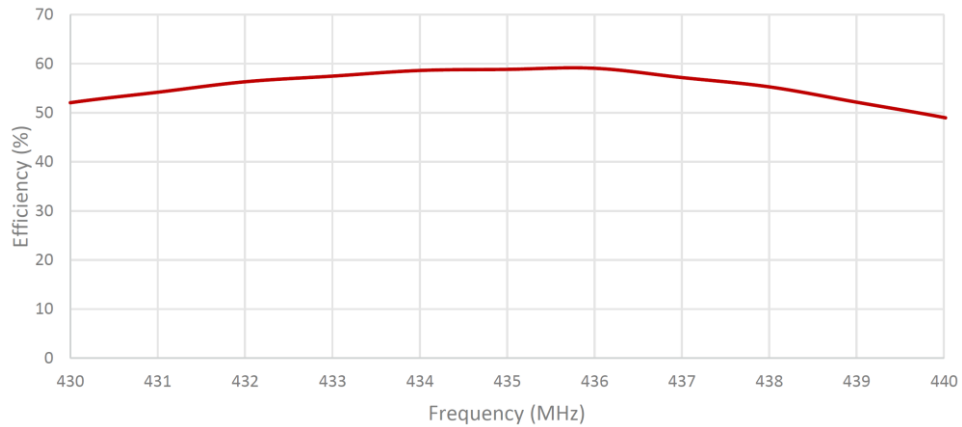
Return Loss:



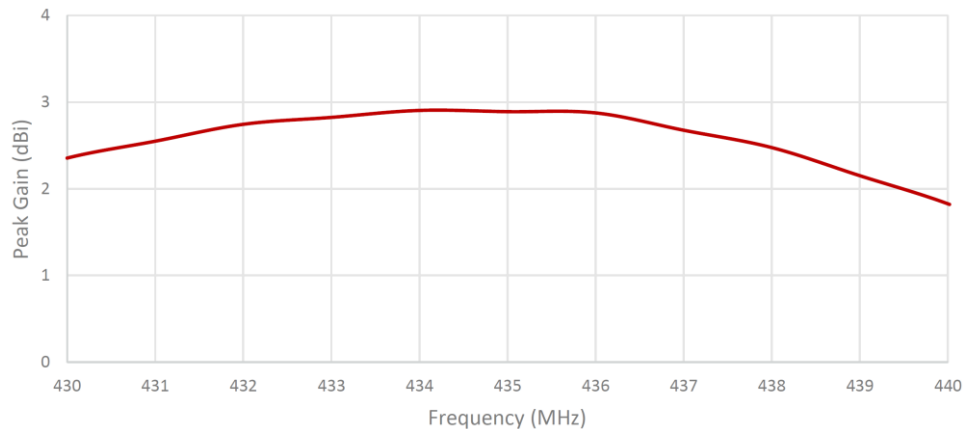
VSWR:



Efficiency:



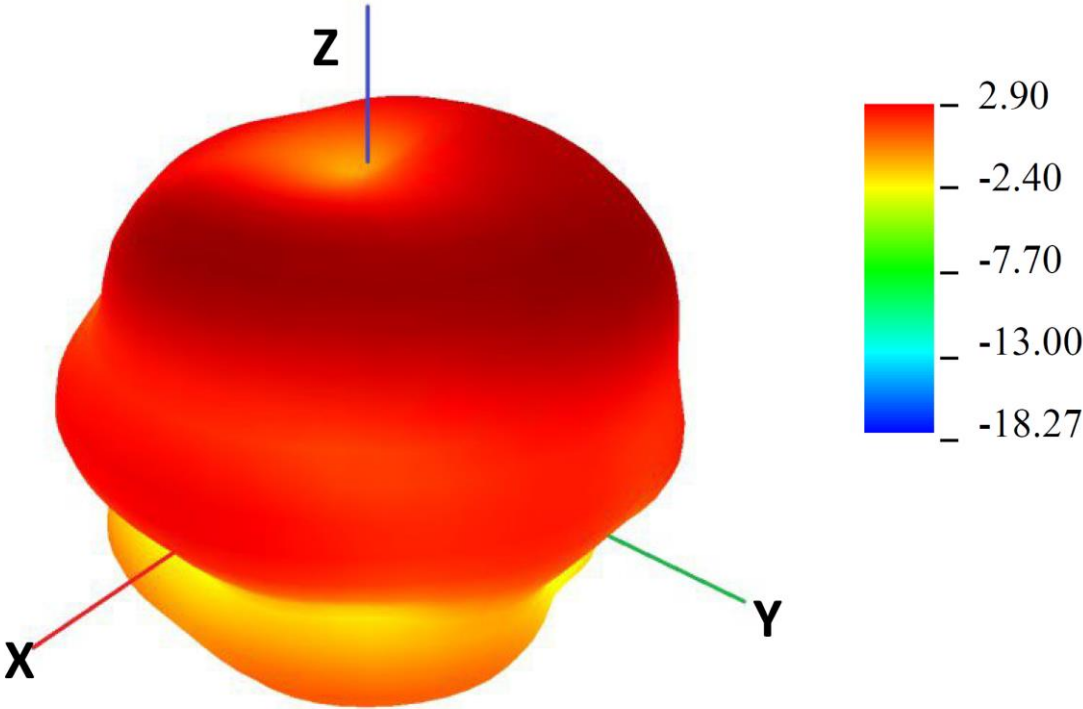
Peak Gain:





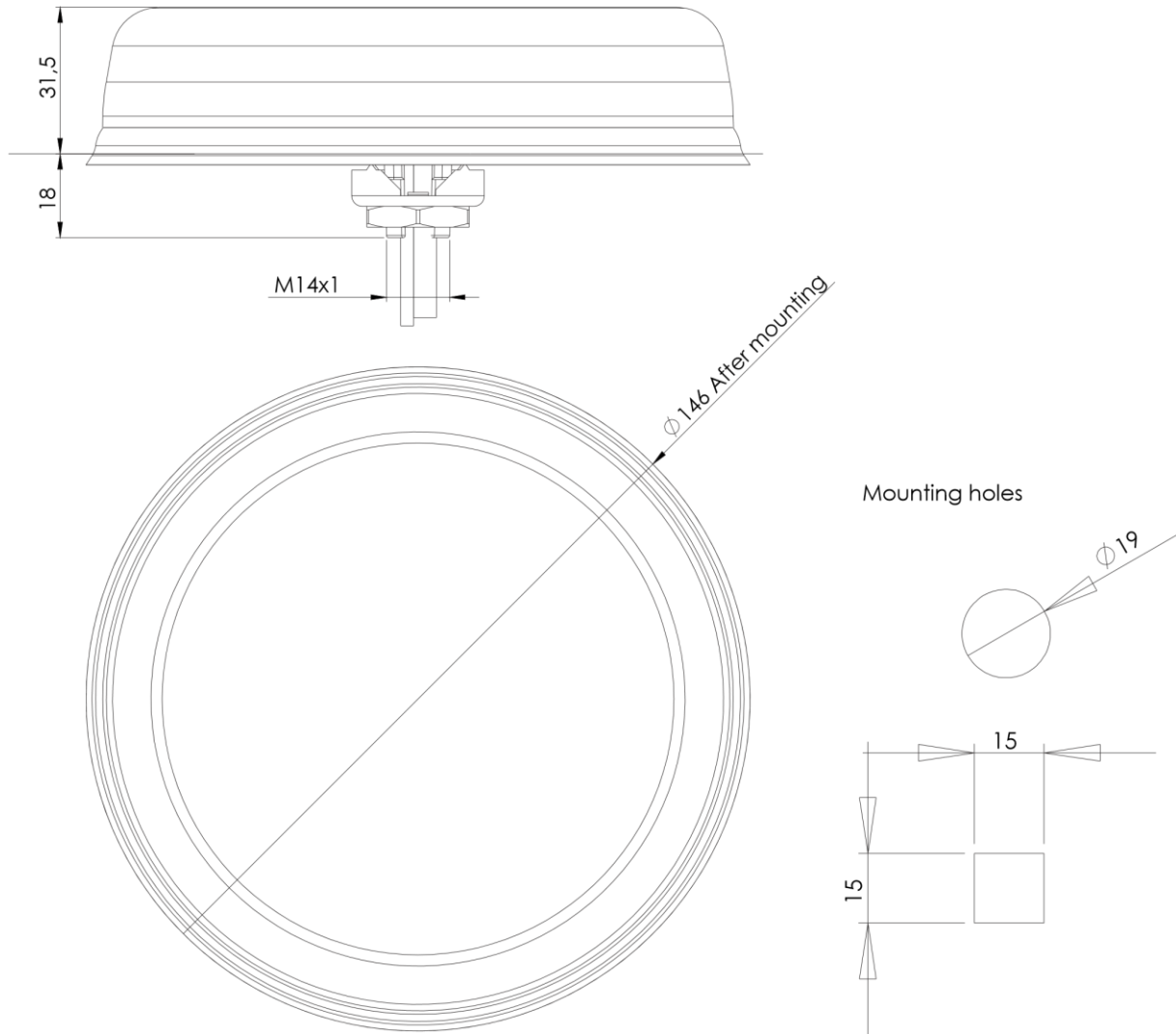
Product Datasheet

Radiation Pattern:



iq Product Datasheet

Antenna drawings:



Manufacturer:



Satel Benelux BV
Margadantstraat 36,
1976 DN IJmuiden
The Netherlands

Phone +31 (0)255 820 009
E-mail info@satelbv.nl
www.satelbv.nl