



Product Datasheet

iQ-8068 Vandalism proof Antenna

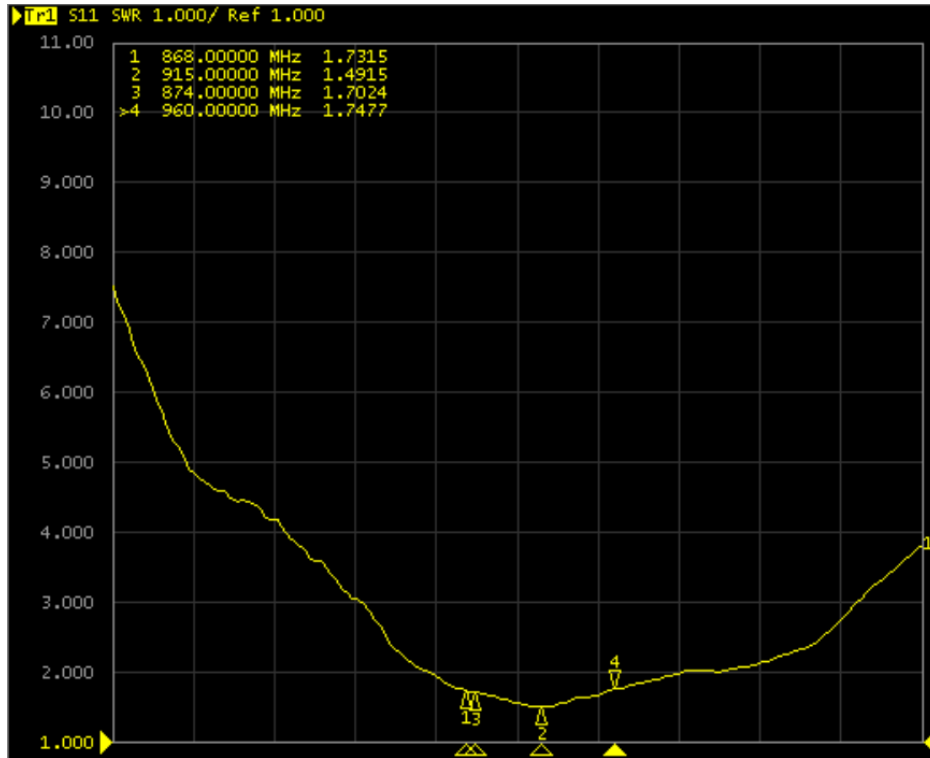


Key features:

Frequencies	GSMR (871-960 MHz) / ISM (868-928 MHz)
VSWR	<2:1
Peak Gain (dBi)	~4 dBi
Impedance (Ohm)	50
Polarisation	Linear
Max. Input Power (W)	50
Radiation Pattern	Omni-Directional
Operating temperature	-40 °C to +85 °C
Storage temperature	-40 °C to +85 °C
Substance Compliance	RoHS
Certificates	IP67, IP69K, IK09
Dimensions	Ø 77.3mm x 66.5mm (after mounting)
Certificates	IK09, IP67, IP69K
Mounting	Body Mount
Cable	Standard RG174U, L: 30cm by default.
Connector	SMA

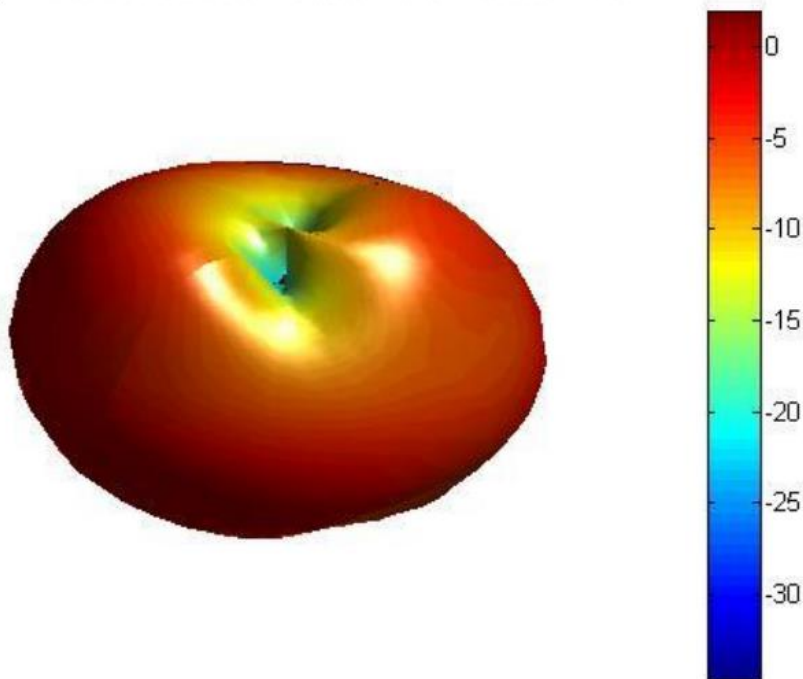


VSWR:



Radiation Pattern:

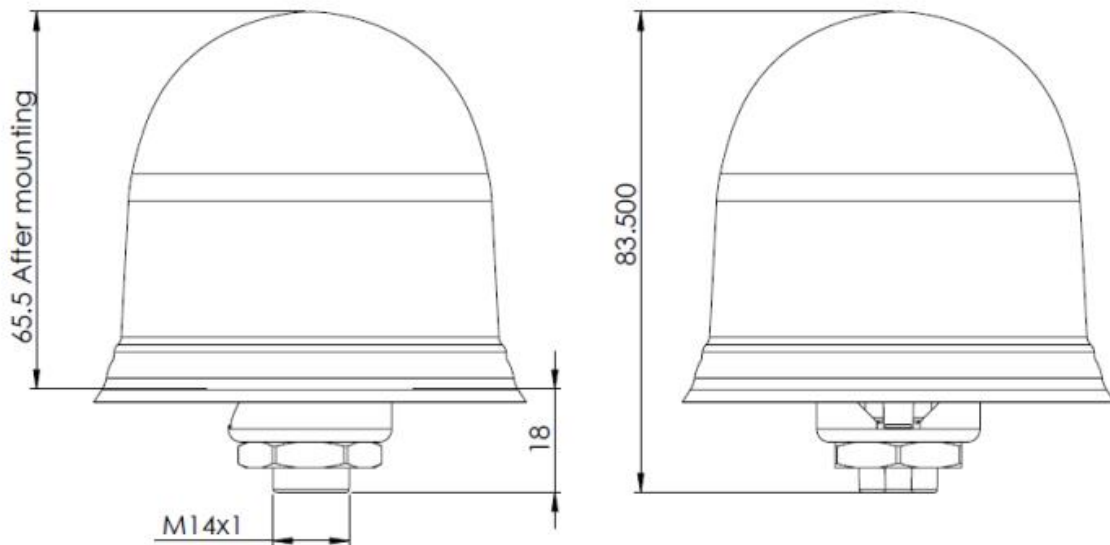
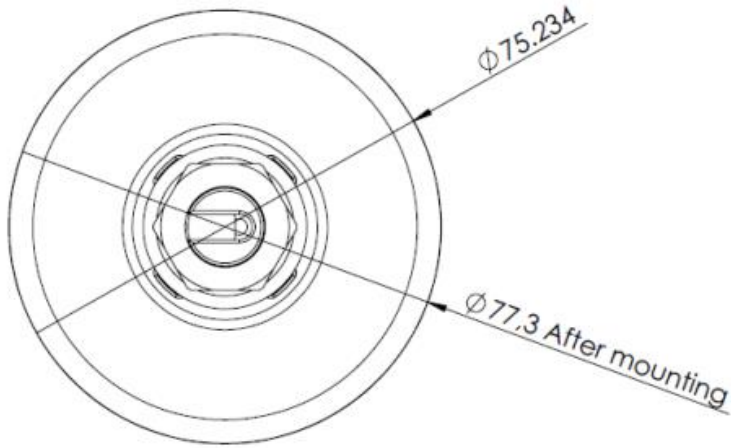
Freq = 0.875GHz Az = 45 EL = 45





Product Datasheet

Antenna drawings:



Manufacturer:



Satel Benelux BV
Margadantstraat 36,
1976 DN IJmuiden
The Netherlands

Phone +31 (0)255 820 009
E-mail info@satelbv.nl
www.satelbv.nl